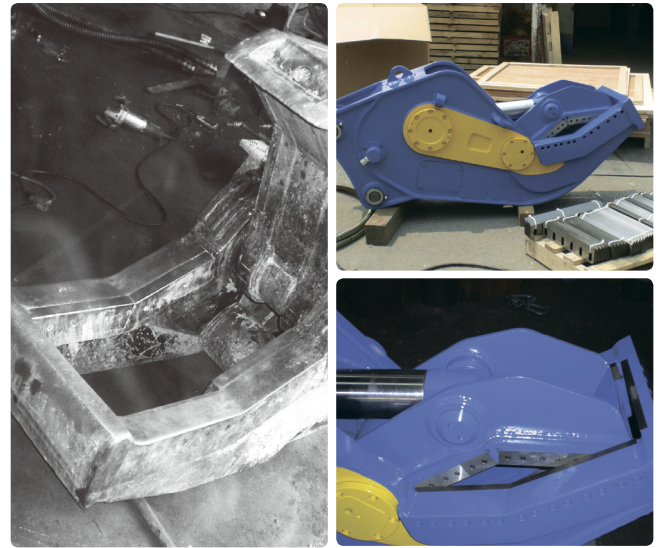
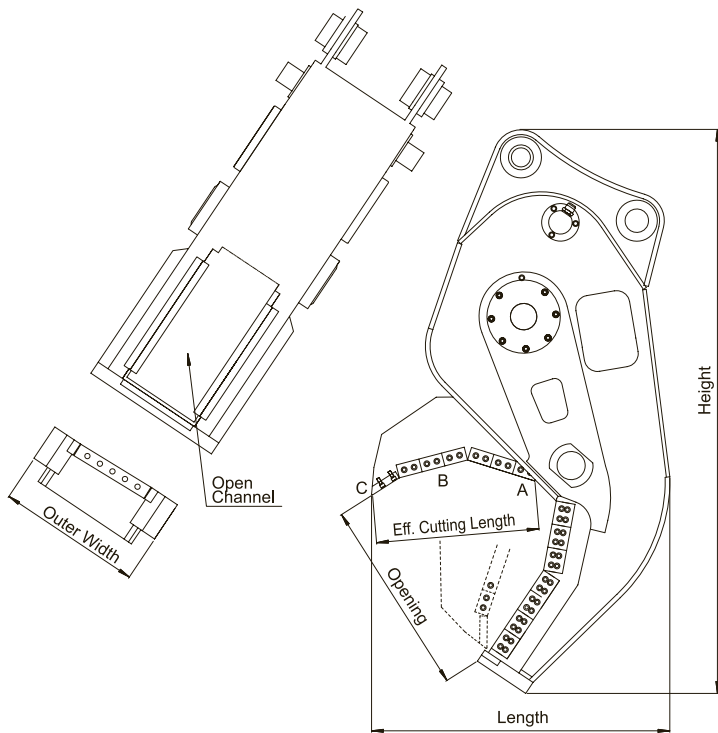


WPE Recycling Cutter

The best solution for wooden building demolition. Chopped wood or light steel fall through the open channel. Optimized cylinder and Speed valve : Quick cycle times and high production.



Model		Unit	WPE10V	WPE15V	WPE20V	Unit	WPE10V	WPE15V	WPE20V
Carrier Weight		MT	6~12	8~17	19~24	MT	6~12	8~17	19~24
Operating Weight		kg	680	850	1,900	lb	1,496	1,870	4,180
Jaw Opening		mm	510	650	770	inch	20	26	30
Eff. Cutting Depth			463	555	725		18	22	29
Open Channel	Width		245	285	340		10	11	13
	Depth	475	560	615	19	22	24		
Cutting Force	[A] Throat	Metric ton	143	259	363	lb (X1000)	315	571	798
	[B] Mid		34	67	89		76	148	196
	[C] Tip		19	39	51		43	85	112
Rated Pressure		bar	280	320	320	psi	4,050	4,600	4,600
Rated Oil Flow		lpm	120	180	240	gpm	32	47	63
DIM	Height *	mm	1,700	1,920	2,230	inch	67	76	88
	Length		830	1,010	1,230		33	40	48
	Outer Width		410	494	609		16	19	24
Cycle time **	Open	sec	0.7	1.1	1.5	sec	0.7	1.1	1.5
	Close		1.6	1.8	1.9		1.6	1.8	1.9

Specifications subject to change without notice.

* Height : Pin-on Mounting

** Cycle time measured at rated flow under no load.